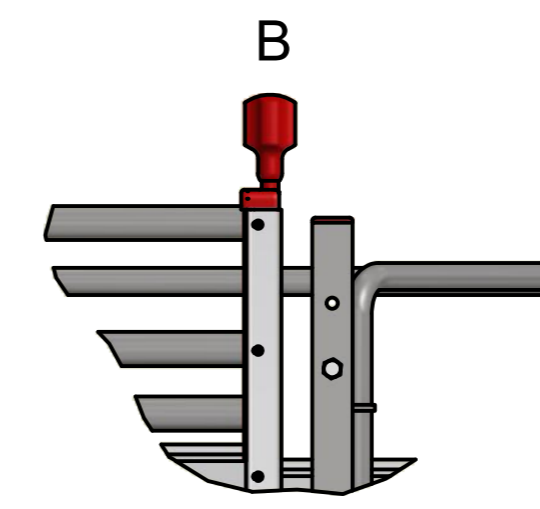
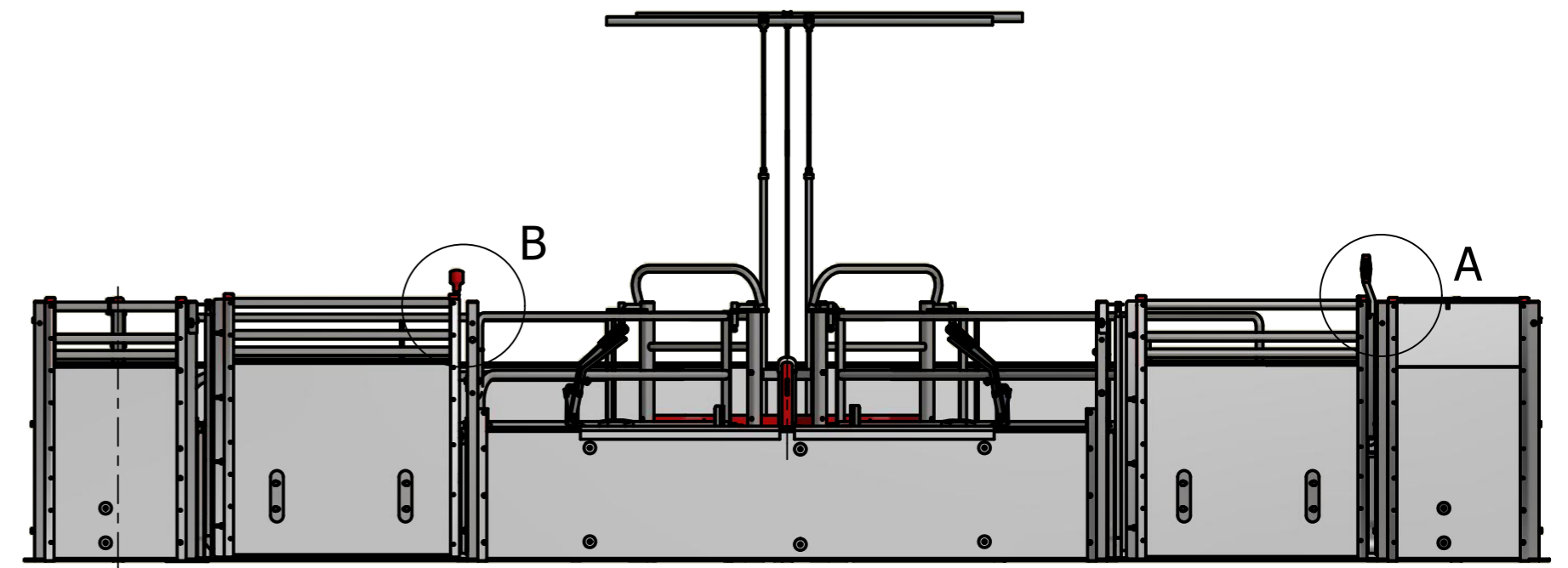
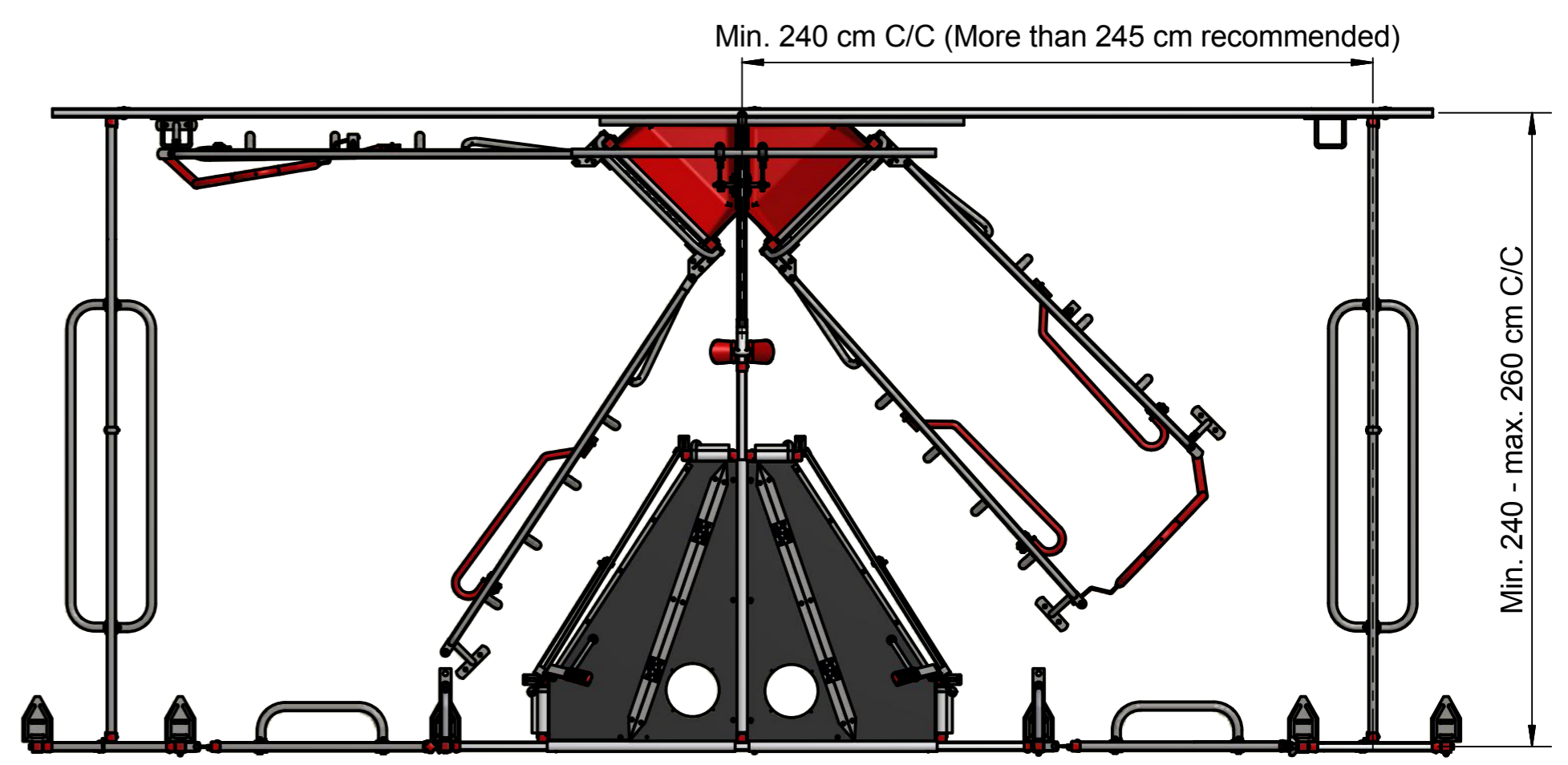
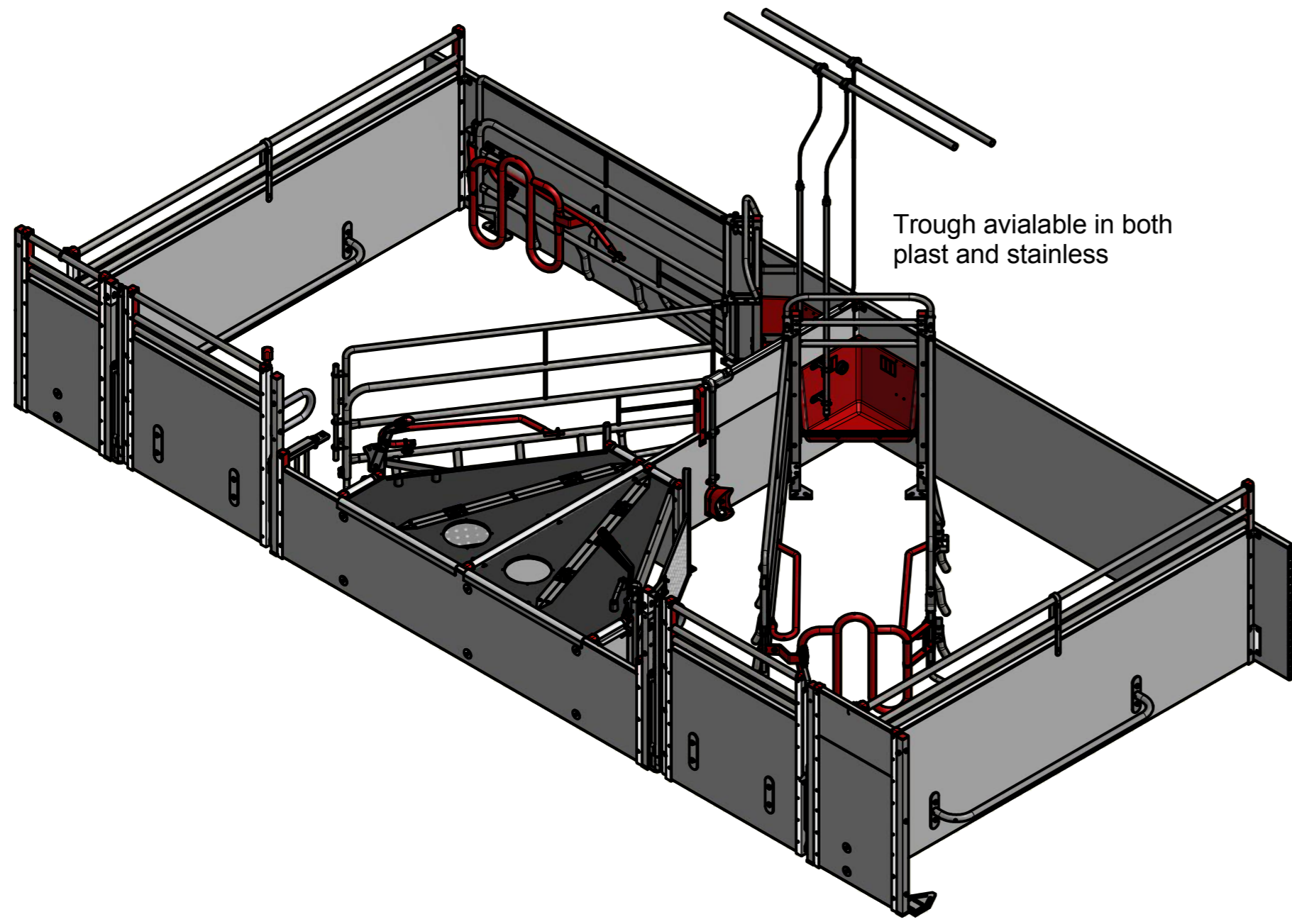
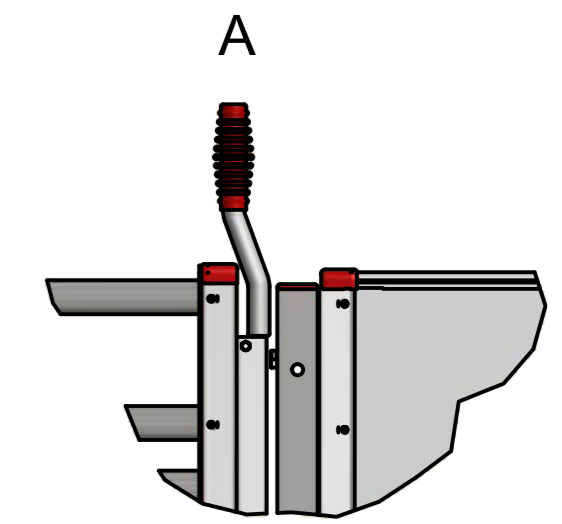



Solution with front parts and low posts.

Recommended with pens more than 245 cm C/C



Door with pin lock or twist lock are both recommended in this solution



 (C)Copyright ACO FUNKI A/S Kirkevaenget 5 DK-7400 Herning Tel. +4597119600 Fax +4597119677	Surface treatment:	Weight:	Dimension:	Material:	
	N/A		General tolerances ISO 2768. Tolerances for linear and angular dimensions without individual tolerance indications:		
	2 stier 2,6 x 2,6 C/C. Stolper i forstyrke	Author: Kje	Date: 05-08-2016	Article No.: Forstyrke med stolper	Paper size: A2
Forstyrke med stolper				Scale: 1 : 25	