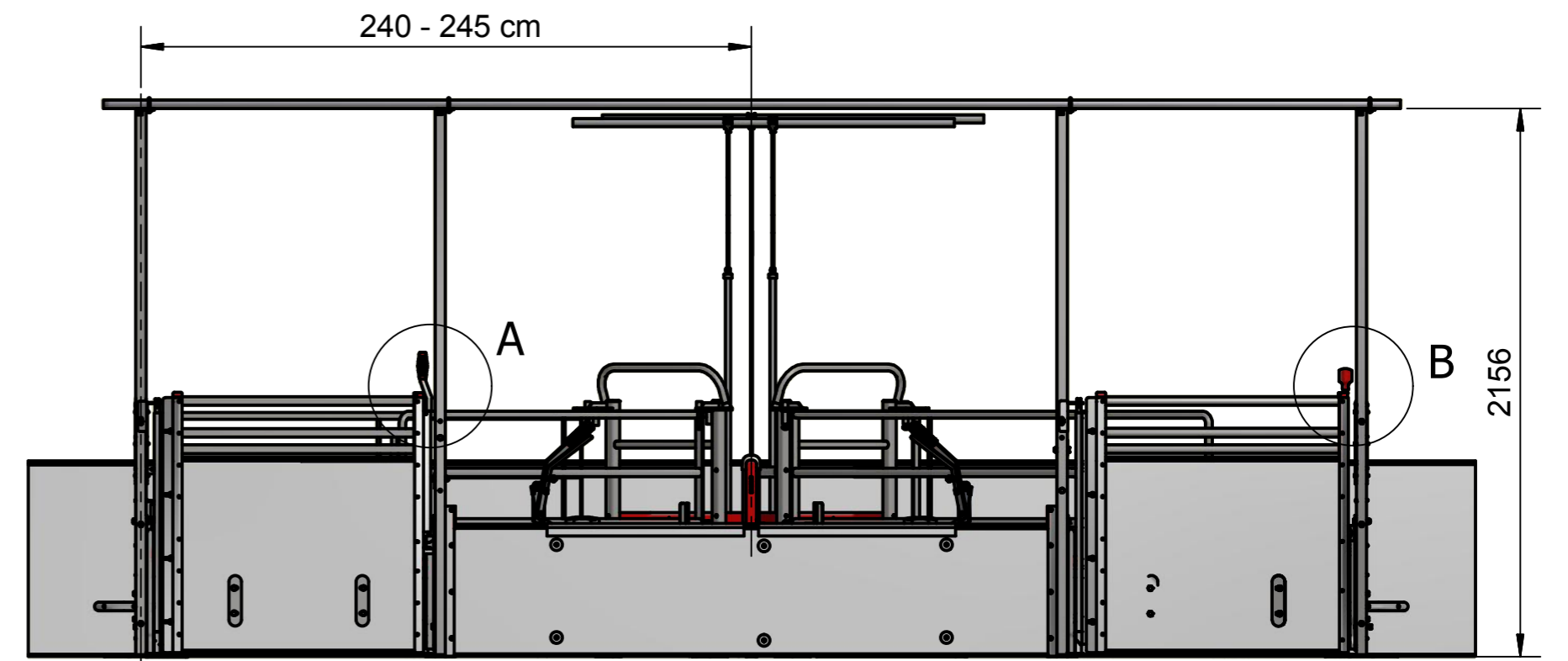
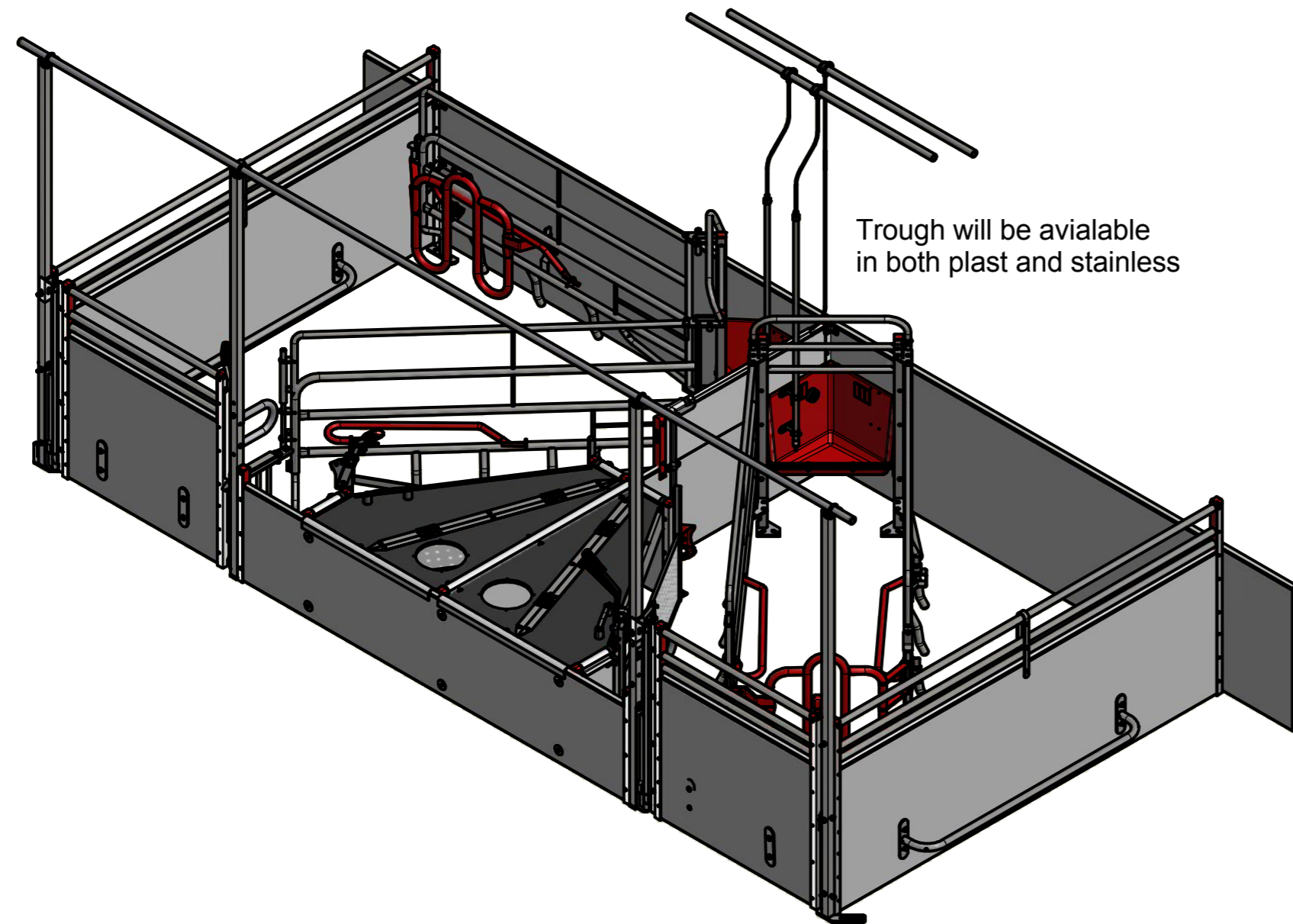
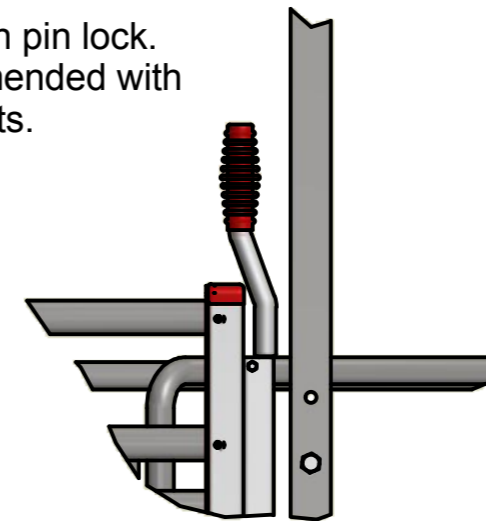


Solution with high post.

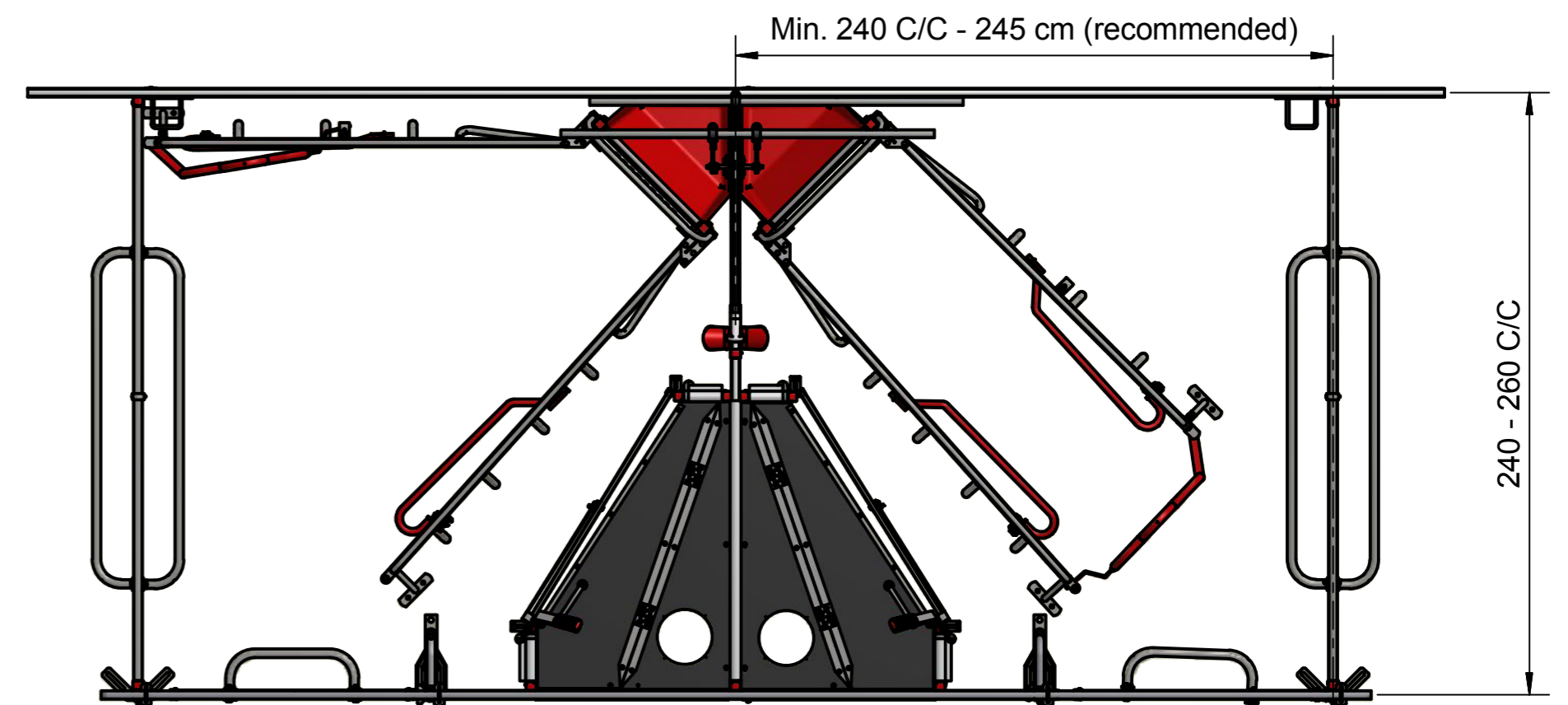
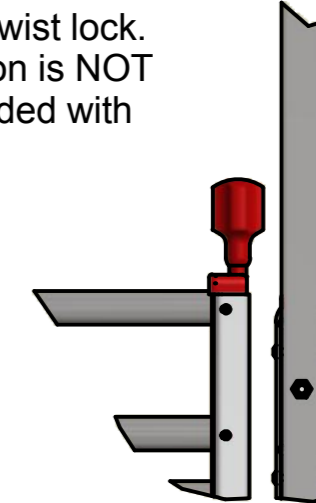
Recommended for pens 240 - 245 cm C/C




A
Door with pin lock.
Recommended with
high posts.



B
Door with twist lock.
This solution is NOT
recommended with
high posts



 (C)Copyright ACO FUNKI A/S Kirkevænget 5 DK-7400 Herning Tel. +4597119600 Fax +4597119677	Surface treatment:	Weight:	Dimension:	Material:	
	N/A		General tolerances ISO 2768. Tolerances for linear and angular dimensions without individual tolerance indications:		
	2 stier 2,4 x 2,4 C/C.Høje stolper	Author: Kje	Date: 05-08-2016	Article No.: M6178-5 høj stolpe	Paper size: A2 Scale: 1 : 25
M6178-5 høj stolpe					